

Form Approved
OMB No. 0704-0188

THE REQUIREMENTS FOR ACQUIRING THE PRODUCT(S) DESCRIBED HEREIN SHALL CONSIST OF THIS SPECIFICATION SHEET AND THE ISSUE OF THE FOLLOWING SPECIFICATION LISTED IN THAT ISSUE OF THE DODISS SPECIFIED IN THE SOLICITATION: AMS-7477

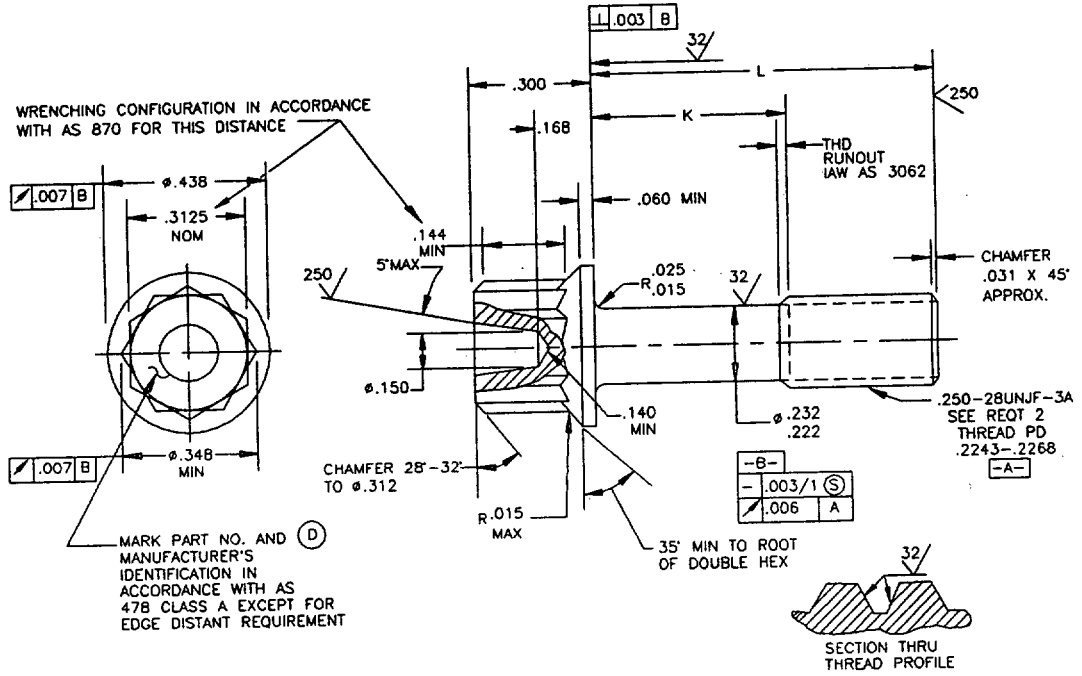


TABLE I. DASH NUMBERS AND DIMENSIONS

DASH NUMBER	L	K	APPROX WEIGHT LB/100	DASH NUMBER	L	K	APPROX WEIGHT LB/100	DASH NUMBER	L	K	APPROX WEIGHT LB/100
-04	.375	.079-.099	1.14	-25	1.688	.878-.938	2.64	-46	4.250	3.440-3.500	5.56
-05	.438	.079-.099	1.21	-26	1.750	.940-1.000	2.72	-47	4.375	3.565-3.625	5.71
-06	.500	.079-.099	1.29	-27	1.875	1.065-1.125	2.86	-48	4.500	3.690-3.750	5.85
-07	.562	.079-.099	1.36	-28	2.000	1.190-1.250	3.00	-49	4.625	3.815-3.875	6.00
-08	.625	.079-.099	1.44	-29	2.125	1.315-1.375	3.14	-50	4.750	3.940-4.000	6.14
-09	.688	.079-.099	1.51	-30	2.250	1.440-1.500	3.29	-51	4.875	4.065-4.125	6.29
-10	.750	.079-.099	1.58	-31	2.375	1.565-1.625	3.43	-52	5.000	4.190-4.250	6.43
-11	.812	.079-.099	1.65	-32	2.500	1.690-1.750	3.57	-53	5.125	4.315-4.375	6.56
-12	.875	.079-.125	1.72	-33	2.625	1.815-1.875	3.71	-54	5.250	4.440-4.500	6.70
-13	.938	.128-.188	1.79	-34	2.750	1.940-2.000	3.85	-55	5.375	4.565-4.625	6.84
-14	1.000	.190-.250	1.86	-35	2.875	2.065-2.125	4.00	-56	5.500	4.690-4.750	6.99
-15	1.062	.252-.312	1.93	-36	3.000	2.190-2.250	4.14	-57	5.625	4.815-4.875	7.13
-16	1.125	.315-.375	2.00	-37	3.125	2.315-2.375	4.29	-58	5.750	4.940-5.000	7.28
-17	1.188	.378-.438	2.08	-38	3.250	2.440-2.500	4.43	-59	5.875	5.065-5.125	7.42
-18	1.250	.440-.500	2.15	-39	3.375	2.565-2.625	4.58	-60	6.000	5.190-5.250	7.57
-19	1.312	.502-.562	2.22	-40	3.500	2.690-2.750	4.72	-61	1.812	1.002-1.062	2.79
-20	1.375	.565-.625	2.29	-41	3.625	2.815-2.875	4.85	-62	1.938	1.128-1.188	2.93
-21	1.438	.628-.688	2.36	-42	3.750	2.940-3.000	4.99				
-22	1.500	.690-.750	2.43	-43	3.875	3.065-3.125	5.13				
-23	1.562	.752-.812	2.50	-44	4.000	3.190-3.250	5.27				
-24	1.625	.815-.875	2.57	-45	4.125	3.315-3.375	5.42				

(D) DENOTES CHANGE(S)

INCH-POUND

PREPARING ACTIVITY: DLA-IS CUSTODIANS: ARMY- AV NAVY- AS AIR FORCE- 99 DLA-	MILITARY SPECIFICATION SHEET TITLE BOLT, MACHINE-DOUBLE HEXAGON EXTENDED WASHER HEAD, CORROSION AND HEAT RESISTANT STEEL, .250-28UNJF-3A	SPECIFICATION SHEET NUMBER MS9557 D 20 APR 93 SUPERSEDING MS9557 C 6 NOV 86 AMSC- N/A FSC 5306
REVIEW: IS, 82 USER: PROJECT NUMBER: 5306-1676 DISTRIBUTION STATEMENT A. Approved for public release; distribution is unlimited.	Page <u>1</u> of <u>2</u>	

THIS SPECIFICATION IS APPROVED FOR USE BY ALL DEPARTMENTS AND AGENCIES OF THE DEPARTMENT OF DEFENSE.

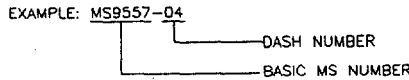
THE REQUIREMENTS FOR ACQUIRING THE PRODUCT(S) DESCRIBED HEREIN SHALL CONSIST OF THIS SPECIFICATION SHEET AND THE ISSUE OF THE FOLLOWING SPECIFICATION LISTED IN THAT ISSUE OF THE DODISS SPECIFIED IN THE SOLICITATION: AMS-7477

THIS SPECIFICATION IS APPROVED FOR USE BY ALL DEPARTMENTS AND AGENCIES OF THE DEPARTMENT OF DEFENSE.

Form Approved
OMB No. 0704-0188

REQUIREMENTS:

1. **MATERIAL:** CORROSION AND HEAT RESISTANT STEEL IN ACCORDANCE WITH AMS 5731-85.
2. **THREADS:** THREADS IN ACCORDANCE WITH MIL-S-8879. INCOMPLETE THREADS NOT TO ENTER FILLET.
3. **DIMENSIONING AND TOLERANCING:** DIMENSIONING AND TOLERANCING SHALL BE IN ACCORDANCE WITH ANSI Y14.5M.
4. **HEAD TO SHANK FILLET:** HEAD TO SHANK FILLET SHALL BE COLD ROLLED AFTER HEAT TREATMENT TO REMOVE ALL VISUAL EVIDENCE OF GRINDING OR TOOL MARKS EXCEPT DASH NUMBER SIZES -14 AND SMALLER.
5. **FLUORESCENT PENETRANT INSPECTION:** FLUORESCENT PENETRANT INSPECTION SHALL BE IN ACCORDANCE WITH AMS 2645-83.
6. **SURFACE TEXTURE:** SURFACE TEXTURE, UNLESS OTHERWISE SPECIFIED, SHALL BE 125 MICRONS EXCEPT UPSET HEAD IN ACCORDANCE WITH ANSI/ASME B46.1.
7. **TOLERANCE:** UNLESS OTHERWISE SPECIFIED, TOLERANCES SHALL BE FOR LINEAR DIMENSIONS ±.010, ANGULAR DIMENSIONS ±5'.
8. **EDGES:** BREAK SHARP EDGES .003-.015 UNLESS OTHERWISE SPECIFIED.
9. **PART NUMBER:** THE PART NUMBER SHALL CONSIST OF THE BASIC MS NUMBER FOLLOWED BY A DASH NUMBER FROM TABLE.



MS9557-04 INDICATES: BOLT, MACHINE-DOUBLE HEXAGON EXTENDED WASHER HEAD, .250-28 UNJF-3A, LENGTH .375.

NOTES:

1. ALL DIMENSIONS IN INCHES.
2. DO NOT USE UNASSIGNED PART NUMBERS.
3. IN THE EVENT OF A CONFLICT BETWEEN THE TEXT OF THIS STANDARD AND THE REFERENCES CITED HEREIN, THE TEXT OF THIS STANDARD SHALL TAKE PRECEDENCE.
4. REFERENCED GOVERNMENT (OR NON-GOVERNMENT) DOCUMENTS OF THE ISSUE LISTED IN THAT ISSUE OF THE DEPARTMENT OF DEFENSE INDEX OF THE SPECIFICATIONS AND STANDARDS (DODISS) SPECIFIED IN THE SOLICITATION FORM A PART OF THIS STANDARD TO THE EXTENT SPECIFIED HEREIN.
5. THIS STANDARD WAS DEVELOPED COOPERATIVELY WITH SAE AEROSPACE PROPULSION DIVISION.
6. AS AND AMS ARE SAE PUBLICATIONS.

PREPARING ACTIVITY: DLA-IS CUSTODIANS: ARMY- AV NAVY- AS AIR FORCE- 99 DLA- REVIEW: IS, 82 USER: PROJECT NUMBER: 5306-1676	MILITARY SPECIFICATION SHEET TITLE BOLT, MACHINE-DOUBLE HEXAGON EXTENDED WASHER HEAD, CORROSION AND HEAT RESISTANT STEEL, .250-28UNJF-3A	SPECIFICATION SHEET NUMBER MS9557 D 20 APR 93 SUPERSEDING MS9557 C 6 NOV 86 AMSC- N/A FSC 5306
DISTRIBUTION STATEMENT A. Approved for public release; distribution is unlimited.		Page <u>2</u> of <u>2</u>