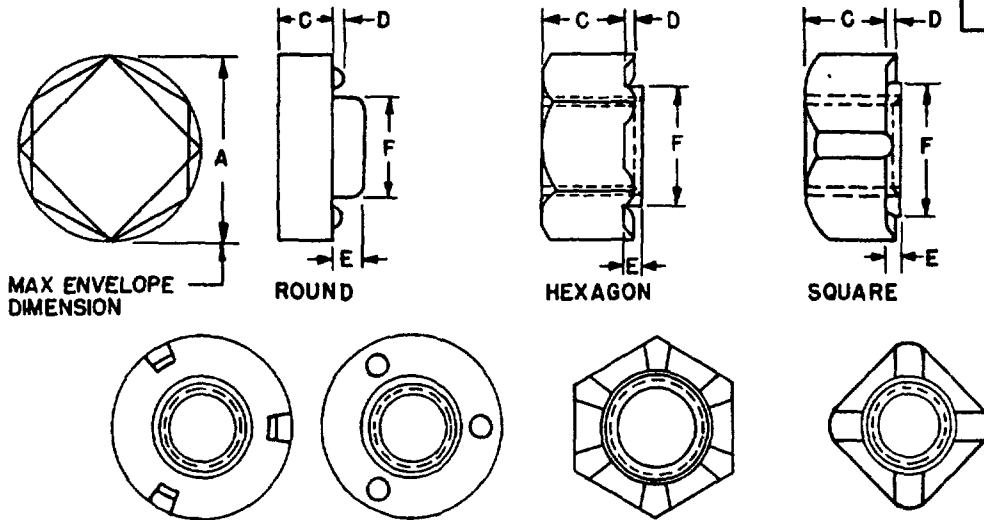


FED SUP CLASS
5310



ACCEPTABLE LUG DESIGNS

REVIEWER AT, AV, EA, G, IS, MI, NSA
 USER AS, NC, NE, NU, OS, PA, SH, WY

* DASH NUMBER	NOMINAL SIZE			THREADS PER INCH UNC-2B	A MAX	C THICKNESS MAX	D PROJECTION HEIGHT MAX	E PILOT LENGTH MAX	F PILOT DIAMETER MAX	PROOF LOAD POUNDS MIN
	HEX	SQ	RD							
1	19	37	#8 (.164)	32	.707	.197	.049	.067	.406	970
2	20	38	#8 (.164)	32	.707	.197	.049	.099	.406	970
3	21	39	#10 (.190)	24	.750	.260	.049	.067	.406	1200
4	22	40	#10 (.190)	24	.750	.260	.049	.099	.406	1200
5	23	41	1/4 (.250)	20	.750	.260	.049	.067	.406	2200
6	24	42	1/4 (.250)	20	.750	.260	.049	.099	.406	2200
7	25	43	5/16 (.312)	18	.795	.229	.049	.070	.469	3600
8	26	44	5/16 (.312)	18	.795	.229	.049	.099	.469	3600
9	27	45	3/8 (.375)	16	.884	.330	.049	.070	.531	5350
10	28	46	3/8 (.375)	16	.884	.330	.049	.099	.531	5350
11	29	47	7/16 (.438)	14	1.060	.322	.049	.070	.656	7350
12	30	48	7/16 (.438)	14	1.060	.322	.049	.099	.656	7350
13	31	49	1/2 (.500)	13	1.149	.385	.049	.070	.719	9800
14	32	50	1/2 (.500)	13	1.149	.385	.049	.099	.719	9800
15	33	51	9/16 (.562)	12	1.237	.447	.049	.070	.781	12600
16	34	52	9/16 (.562)	12	1.237	.447	.049	.099	.781	12600
17	35	53	5/8 (.625)	11	1.237	.570	.049	.070	.781	15600
18	36	54	5/8 (.625)	11	1.237	.570	.049	.099	.781	15600

NOTES

- MATERIAL** Steel, carbon, Federal Standard No 66, AISI 1005 thru 1020, AISI 1108 thru 1110.
- PROTECTIVE COATING** Uncoated.
- THREADS** Threads shall be in accordance with Screw-Thread Standards for Federal Services, Handbook H-28.
- DIMENSIONS** Dimensions are in inches unless otherwise specified.
- TOLERANCE** Bearing surface shall be at right angles to thread axis within 3°. Pilot may be chamfered at end on the inside diameter to within .032 inch of the outside diameter and to the depth of the pilot. Concentricity of the outside diameter of the pilot and the threaded section shall be concentric within .008 inches.
- PART NUMBER** The MS part number consists of the MS number, plus the dash number. Example. MS27128-1.
- Referenced documents shall be of the issue in effect on date of invitations for bid.
- For design feature purposes, this standard takes precedence over procurement documents referenced herein.

① * LINED OUT DASH NUMBERS ARE INACTIVE FOR NEW DESIGN AFTER 15 JAN 1976

This military standard is approved for use by all Departments and Agencies of the Department of Defense. Selection for all new engineering and design applications and for repetitive use shall be made from this document.

P. A. WC Other Cust H2	TITLE NUT, WELDING - PILOT	MILITARY STANDARD
		MS 27128
PROCUREMENT SPECIFICATION FF-N-436	SUPERSEDES BBNX5	SHEET 1 OF 1

APPROVED 21 MAR 61 REVISED (A) 11 SEP 1964 (B) 2 JAN 69 (C) 15 APR 1970 (D) 15 JAN 1976