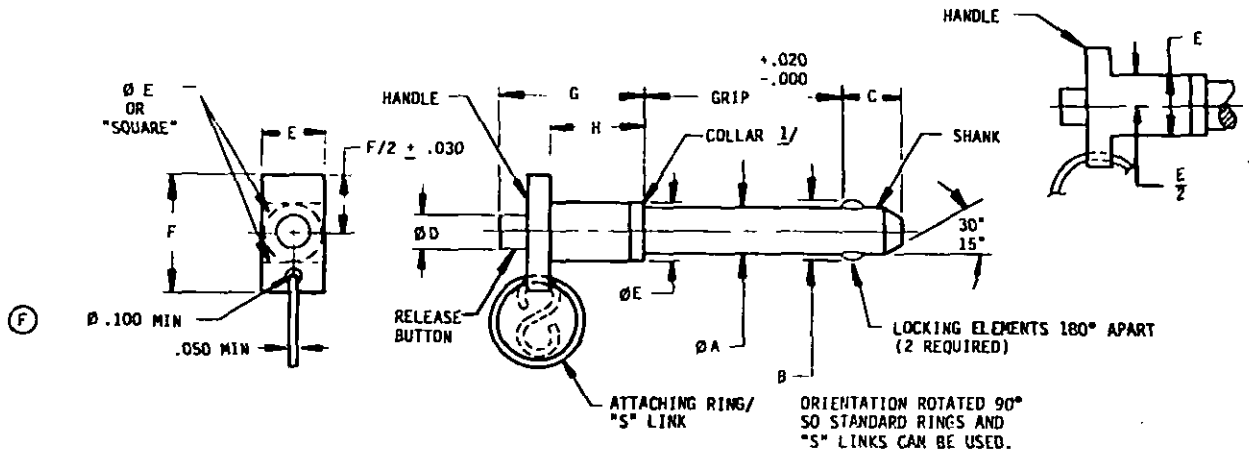


THIS ILLUSTRATION OF THE HANDLE IS FOR IDENTIFICATION PURPOSES ONLY AND IS NOT INTENDED TO RESTRICT DESIGNS AND SHAPES WHICH WILL OTHERWISE CONFORM TO SPECIFICATION REQUIREMENTS AND ARE WITHIN THE ENVELOPE DIMENSIONS.



"T" HANDLE PIN, SINGLE ACTING

THE REQUIREMENTS FOR ACQUIRING THE PRODUCT(S) DESCRIBED HEREIN SHALL CONSIST OF THIS SPECIFICATION SHEET AND THE ISSUE OF THE FOLLOWING SPECIFICATION LISTED IN THAT ISSUE OF THE DODISS SPECIFIED IN THE SOLICITATION: MIL - P - 23460

TABLE I. DIMENSIONS AND MECHANICAL PROPERTIES.

(b) NOM DIA	Ø A		B +.000 -.005	C +.000 -.040		Ø D		Ø E		F		G	H	DOUBLE SHEAR MIN		TENSILE STRENGTH MIN	RECOMMENDED HOLE DIAMETER	
	MAX	MIN		MAX	MIN	MAX	MIN	MAX	MIN	MAX	MIN			STEEL	GRES		MAX	MIN
2/ 3/16	.1885	.1870	.220	.260	.310	.250	.500	.380	1.815	1.750	1.270	.800	4,600	5,150	200	.194	.190	
1/4	.2485	.2470	.289	.290	.310	.250	.500	.380	1.815	1.750	1.270	.800	8,200	9,200	230	.254	.250	
5/16	.3110	.3095	.375	.330	.310	.250	.500	.380	1.815	1.750	1.270	.800	12,000	14,400	810	.3165	.3125	
3/8	.3735	.3720	.440	.365	.390	.300	.625	.510	2.065	1.935	1.450	.850	18,400	20,600	575	.379	.375	
2/ 7/16	.4360	.4345	.509	.380	.390	.300	.625	.510	2.065	1.935	1.470	.850	25,000	28,000	710	.4425	.4375	
1/2	.4985	.4970	.594	.460	.565	.435	.800	.630	2.345	2.220	1.600	.885	32,800	36,800	1,160	.505	.500	
2/ 9/16	.5610	.5595	.666	.510	.565	.435	.800	.630	2.345	2.220	1.600	.885	41,200	46,000	1,420	.5675	.5625	
5/8	.6235	.6220	.750	.580	.580	.450	.975	.810	3.100	2.250	1.700	.980	51,200	57,500	2,070	.630	.625	
3/4	.7485	.7470	.887	.670	.700	.570	1.000	.810	3.100	2.500	1.720	1.030	73,600	82,500	2,950	.757	.750	
7/8	.8735	.8720	1.046	.760	.840	.700	1.320	1.120	3.520	2.750	2.170	1.310	100,000	112,500	3,900	.882	.875	
1	.9985	.9970	1.219	.890	.950	.750	1.320	1.180	3.520	2.750	2.170	1.310	131,000	147,000	5,480	1.010	1.000	

1/ COLLAR IS MANDATORY ON PINS HAVING ALUMINUM ALLOY HANDLES AND IS OPTIONAL ON PINS WITH STEEL HANDLES.

2/ FOR COST PURPOSES 1/4, 1/2 AND 5/8 INCH PINS ARE PREFERRED OVER 3/16, 7/16 AND 9/16 INCH PINS RESPECTIVELY.

3/ GRIP SHALL BE MEASURED TO THE EDGE OF THE LOCKING ELEMENT HOLE PRIOR TO STAKING.

(F) DENOTES CHANGE

THIS SPECIFICATION IS APPROVED FOR USE BY ALL DEPARTMENTS AND AGENCIES OF THE DEPARTMENT OF DEFENSE.

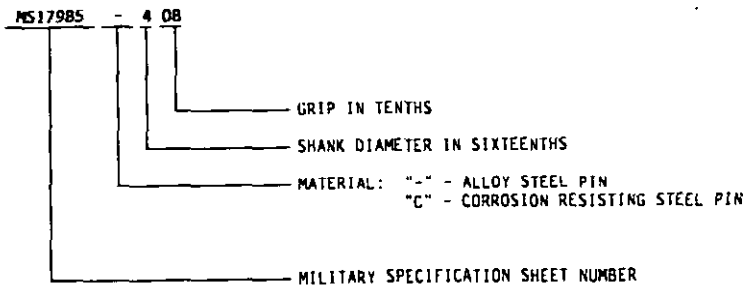
PREPARING ACTIVITY: NAVY - AS CUSTODIANS: ARMY - AV NAVY - AS AIR FORCE - 99 DLA - REVIEW: AIR FORCE - 82, DLA - IS USER: ARMY - GL PROJECT NUMBER: 5340-1781	MILITARY SPECIFICATION SHEET TITLE: PIN, QUICK RELEASE, SELF-RETAINING, POSITIVE LOCKING, SINGLE ACTING, "T" HANDLE	SPECIFICATION SHEET NUMBER REV F MS17985 14 AUG 91 SUPERSADING MS17985E 17 JAN 1983 AMSC - N/A FSC 5340
--	--	--

DISTRIBUTION STATEMENT A Approved for public release; distribution is unlimited.

Page 1 of 2

NOTES:

1. DIMENSIONS ARE IN INCHES.
2. EXAMPLE OF PART OR IDENTIFYING NUMBER (PIN)



3. FOR DESIGN FEATURE PURPOSES, THIS SPECIFICATION SHEET TAKES PRECEDENCE OVER ACQUISITION DOCUMENTS REFERENCED HEREIN.
1. DOCUMENTS LISTED IN THE DEPARTMENT OF DEFENSE INDEX OF SPECIFICATIONS AND STANDARDS (DoDISS) AND SPECIFIED IN THE SOLICITATION REQUEST FOR PROPOSAL, REQUEST FOR BID, ETC. FORM A PART OF THIS SPECIFICATION SHEET TO THE EXTENT SPECIFIED HEREIN.

REQUIREMENTS:

1. MATERIALS.

ALLOY STEEL PINS:

Attaching Link or Ring:

Music Wire 1086 (UNS G10860) per ASTM A228.
CRES 17-7PH (UNS S17700) with spring temper per AMS 5678, or
CRES 302 (UNS S30200) per ASTM A313.

Button:

Aluminum Alloy 2011 (UNS A92011) per QQ-A-225/3,
Aluminum Alloy 2017 (UNS A92017) per QQ-A-225/5,
Aluminum Alloy 2024 (UNS A92024) per QQ-A-225/6 or
Carbon Steel per ASTM A108.

Collar:

Carbon Steel per ASTM A108/A366 or
CRES 301 (UNS S30100), CRES 302 (UNS S30200), CRES (UNS S30300)
or CRES 304 (UNS S30400), all per ASTM A484/A581/A582 or QQ-S-766.

Handle:

Aluminum Alloy 380 (UNS A03800) per QQ-A-591.
Aluminum Alloy 2011 (UNS A92011) per QQ-A-225/3,
Aluminum Alloy 2017 (UNS A92017) per QQ-A-225/5,
Aluminum Alloy 2024 (UNS A92024) per QQ-A-225/6 or
Aluminum Alloy 6061-T6 (UNS A96061) per QQ-A-200/8 or QQ-A-225/8; or
Carbon Steel per ASTM A108.

Locking Elements:

CRES CL440C (UNS S44004) per AMS 5630/5880.

Shank and Spindle:

Alloy Steel 4130 (UNS G41300) per MIL-T-6736 and MIL-S-6758.
For sizes (nominal) diameters 1/2 inch and over, Alloy Steels 4140 (UNS G41400) and
8740 (UNS G87400) may be used.

Spring:

Music Wire 1086 (UNS G10860) per ASTM A228.
CRES 17-7PH (UNS S17700) with temper per AMS 5678, condition A or B, or
CRES 302 (UNS S30200), class 1 per ASTM A313.

CORROSION RESISTANT STEEL PINS:

Attaching Link or Ring:

CRES 17-7PH (UNS S17700) with spring temper per AMS 5678 or
CRES 302 (UNS S30200) per ASTM A313.

Collar:

CRES 301 (UNS S30100), CRES 302 (UNS S30200), CRES 303 (UNS S30300) or
CRES 304 (UNS S30400), all per ASTM A484/A581/A582 or QQ-S-766.

CORROSION-RESISTANT STEEL PARTS: PASSIVATE PER QQ-P-35.

PREPARING ACTIVITY: NAVY - AS
CUSTODIANS: ARMY - AV NAVY - AS
AIR FORCE - 99 DLA -
REVIEW: AIR FORCE - 82, DLA - IS
USER: ARMY - GL
PROJECT NUMBER: 5340-1781

MILITARY SPECIFICATION SHEET
TITLE: PIN, QUICK RELEASE, SELF-RETAINING,
POSITIVE LOCKING, SINGLE ACTING,
"T" HANDLE

SPECIFICATION SHEET NUMBER REV F

MS17985 14 AUG 91

SUPERSEDING
MS17985E 17 JAN 1983

AMSC- N/A FSC 5340

DISTRIBUTION STATEMENT A. Approved for public release; distribution is unlimited.

Page 2 of 7

Handle and Button:
 Aluminum Alloy 380 (UNS A03800) QQ-A-591.
 Aluminum Alloy 2011 (UNS A92011) per QQ-A-225/3.
 Aluminum Alloy 2017 (UNS A92017) per QQ-A-225/5.
 Aluminum Alloy 2024 (UNS A92024) per QQ-A-225/6.
 Aluminum Alloy 6061-T6 (UNS A96061) per QQ-A-200/8 or QQ-A-225/8, or
 CRES 303 (UNS S30300) per ASTM A484/A581/A582.

Locking Elements:
 CRES CL 440C (UNS S44004) per AMS 563D or AMS 5880.

Shank and Spindle:
 CRES 17-4PH (UNS S17400) per AMS 5643 or
 PH15-7MO (UNS S15700) per AMS 5520 or AMS 5657.

Spring:
 CRES 17-7PH (UNS 17700) with temper per AMS 5678, condition A or B, or
 CRES 302 (UNS S30200), class 1 per ASTM A313.

2. HEAT TREATMENT.

ALLOY STEEL PINS:

Shank and Spindle per MIL-H-6875 to Rockwell C36 to C40.

CRES PINS:

Shank and Spindle per MIL-H-6875 condition H-900 for CRES 17-4PH,
 and condition CH-900 for PH15-7MO, Rockwell C40 minimum.
 Locking elements per MIL-H-6875.

3. PLATING OR COATING.

ALLOY AND CARBON STEEL PARTS:

Cadmium plate per QQ-P-416, Type II, Class 2, ~~except that when~~
~~time after plating shall not be less than four (4) hours.~~
 Removal of supplementary chromate treatment or Alloy steel pins
 due to fabrication techniques shall not be cause for rejection, provided
 that the scratches do not penetrate the cadmium plating.

CRES PARTS:

Passivate per QQ-P-35.

ALUMINUM ALLOY PARTS:

Anodize per MIL-A-8625, Type I or II, Class 2 or chemical film
 per MIL-C-5541, Class IA. Handles must be black.

(F)

(F) DENOTES CHANGE

PREPARING ACTIVITY: NAVY - AS CUSTODIANS: ARMY - AV NAVY - AS AIR FORCE - 99 DLA - REVIEW: AIR FORCE - 82, DLA - 15 USER: ARMY - GL PROJECT NUMBER: 5340-1781	MILITARY SPECIFICATION SHEET TITLE: PIN, QUICK RELEASE, SELF-RETAINING, POSITIVE LOCKING, SINGLE ACTING, "T" HANDLE	SPECIFICATION SHEET NUMBER REV F MS17985 14 AUG 91 SUPERSEDING MS17985E 17 JAN 1983 AMSC - N/A FSC 5340
--	--	--

DISTRIBUTION STATEMENT A. Approved for public release; distribution is unlimited.

Page 3 of 7

DD FORM 672 MAY 1989

PREVIOUS EDITIONS OF THIS FORM ARE OBSOLETE

142994

THE REQUIREMENTS FOR ACQUIRING THE PRODUCT(S) DESCRIBED HEREIN SHALL CONSIST
 OF THIS SPECIFICATION SHEET AND THE ISSUE OF THE FOLLOWING SPECIFICATION LISTED IN
 THAT ISSUE OF THE DODISS SPECIFIED IN THE SOLICITATION:

THIS SPECIFICATION IS APPROVED FOR USE
 BY ALL DEPARTMENTS AND AGENCIES OF THE
 DEPARTMENT OF DEFENSE.

TABLE II. GRIP LENGTHS.
DASH NUMBERS

GRIP LENGTH	NOMINAL DIAMETER											
	3/16		1/4		5/16		3/8		7/16		1/2	
	ALLOY STEEL	COR. RES. STEEL	ALLOY STEEL	COR. RES. STEEL	ALLOY STEEL	COR. RES. STEEL	ALLOY STEEL	COR. RES. STEEL	ALLOY STEEL	COR. RES. STEEL	ALLOY STEEL	COR. RES. STEEL
.750	-303	C303	-403	C403	-503	C503						
.875	-304	C304	-404	C404	-504	C504						
1.000	-305	C305	-405	C405	-505	C505	-605	C605	-705	C705		
1.125	-306	C306	-406	C406	-506	C506	-606	C606	-706	C706		
1.250	-307	C307	-407	C407	-507	C507	-607	C607	-707	C707	-807	C807
1.375	-308	C308	-408	C408	-508	C508	-608	C608	-708	C708	-808	C808
1.500	-309	C309	-409	C409	-509	C509	-609	C609	-709	C709	-809	C809
1.625	-310	C310	-410	C410	-510	C510	-610	C610	-710	C710	-810	C810
1.750	-311	C311	-411	C411	-511	C511	-611	C611	-711	C711	-811	C811
1.875	-312	C312	-412	C412	-512	C512	-612	C612	-712	C712	-812	C812
2.000	-313	C313	-413	C413	-513	C513	-613	C613	-713	C713	-813	C813
2.125	-314	C314	-414	C414	-514	C514	-614	C614	-714	C714	-814	C814
2.250	-315	C315	-415	C415	-515	C515	-615	C615	-715	C715	-815	C815
2.375	-316	C316	-416	C416	-516	C516	-616	C616	-716	C716	-816	C816
2.500	-317	C317	-417	C417	-517	C517	-617	C617	-717	C717	-817	C817
2.625	-318	C318	-418	C418	-518	C518	-618	C618	-718	C718	-818	C818
2.750	-319	C319	-419	C419	-519	C519	-619	C619	-719	C719	-819	C819
2.875	-320	C320	-420	C420	-520	C520	-620	C620	-720	C720	-820	C820
3.000	-321	C321	-421	C421	-521	C521	-621	C621	-721	C721	-821	C821
3.125	-322	C322	-422	C422	-522	C522	-622	C622	-722	C722	-822	C822
3.250	-323	C323	-423	C423	-523	C523	-623	C623	-723	C723	-823	C823
3.375	-324	C324	-424	C424	-524	C524	-624	C624	-724	C724	-824	C824
3.500	-325	C325	-425	C425	-525	C525	-625	C625	-725	C725	-825	C825
3.625	-326	C326	-426	C426	-526	C526	-626	C626	-726	C726	-826	C826
3.750	-327	C327	-427	C427	-527	C527	-627	C627	-727	C727	-827	C827
3.875	-328	C328	-428	C428	-528	C528	-628	C628	-728	C728	-828	C828
4.000	-329	C329	-429	C429	-529	C529	-629	C629	-729	C729	-829	C829
4.125	-330	C330	-430	C430	-530	C530	-630	C630	-730	C730	-830	C830
4.250	-331	C331	-431	C431	-531	C531	-631	C631	-731	C731	-831	C831
4.375	-332	C332	-432	C432	-532	C532	-632	C632	-732	C732	-832	C832
4.500	-333	C333	-433	C433	-533	C533	-633	C633	-733	C733	-833	C833
4.625	-334	C334	-434	C434	-534	C534	-634	C634	-734	C734	-834	C834
4.750	-335	C335	-435	C435	-535	C535	-635	C635	-735	C735	-835	C835
4.875	-336	C336	-436	C436	-536	C536	-636	C636	-736	C736	-836	C836
5.000	-337	C337	-437	C437	-537	C537	-637	C637	-737	C737	-837	C837
5.125	-338	C338	-438	C438	-538	C538	-638	C638	-738	C738	-838	C838
5.250	-339	C339	-439	C439	-539	C539	-639	C639	-739	C739	-839	C839
5.375	-340	C340	-440	C440	-540	C540	-640	C640	-740	C740	-840	C840
5.500	-341	C341	-441	C441	-541	C541	-641	C641	-741	C741	-841	C841
5.625	-342	C342	-442	C442	-542	C542	-642	C642	-742	C742	-842	C842
5.750	-343	C343	-443	C443	-543	C543	-643	C643	-743	C743	-843	C843
5.875	-344	C344	-444	C444	-544	C544	-644	C644	-744	C744	-844	C844
6.000	-345	C345	-445	C445	-545	C545	-645	C645	-745	C745	-845	C845
6.125	-346	C346	-446	C446	-546	C546	-646	C646	-746	C746	-846	C846
6.250	-347	C347	-447	C447	-547	C547	-647	C647	-747	C747	-847	C847
6.375	-348	C348	-448	C448	-548	C548	-648	C648	-748	C748	-848	C848
6.500	-349	C349	-449	C449	-549	C549	-649	C649	-749	C749	-849	C849
6.625	-350	C350	-450	C450	-550	C550	-650	C650	-750	C750	-850	C850
6.750	-351	C351	-451	C451	-551	C551	-651	C651	-751	C751	-851	C851
6.875	-352	C352	-452	C452	-552	C552	-652	C652	-752	C752	-852	C852
7.000	-353	C353	-453	C453	-553	C553	-653	C653	-753	C753	-853	C853
7.125	-354	C354	-454	C454	-554	C554	-654	C654	-754	C754	-854	C854
7.250	-355	C355	-455	C455	-555	C555	-655	C655	-755	C755	-855	C855
7.375	-356	C356	-456	C456	-556	C556	-656	C656	-756	C756	-856	C856
7.500	-357	C357	-457	C457	-557	C557	-657	C657	-757	C757	-857	C857
7.625	-358	C358	-458	C458	-558	C558	-658	C658	-758	C758	-858	C858
7.750	-359	C359	-459	C459	-559	C559	-659	C659	-759	C759	-859	C859
7.875	-360	C360	-460	C460	-560	C560	-660	C660	-760	C760	-860	C860

PREPARING ACTIVITY: NAVY - AS
CUSTODIANS: ARMY - AV NAVY - AS
AIR FORCE - 99 DLA -
REVIEW AIR FORCE - 82, DLA - 15
USER: ARMY - GL
PROJECT NUMBER: 5340-1781

MILITARY SPECIFICATION SHEET
TITLE: PIN, QUICK RELEASE, SELF-RETAINING,
POSITIVE LOCKING, SINGLE ACTING,
"T" HANDLE

SPECIFICATION SHEET NUMBER REV F
MS17985 14 AUG 91
SUPERSEDING
MS17985E 17 JAN 1983
AMSC - N/A FSC : 5340

THE REQUIREMENTS FOR ACQUIRING THE PRODUCT(S) DESCRIBED HEREIN SHALL CONSIST OF THIS SPECIFICATION SHEET AND THE ISSUE OF THE FOLLOWING SPECIFICATION LISTED IN THAT ISSUE OF THE DODDISB SPECIFIED IN THE SOLICITATION: MIL-P-23460

THIS SPECIFICATION IS APPROVED FOR USE BY ALL DEPARTMENTS AND AGENCIES OF THE DEPARTMENT OF DEFENSE.

GROUP 1 EXCLUDED FROM AUTOMATIC DOWNGRADING AND DECLASSIFICATION

TABLE II. CRIP LFNCTHS.

DASH NUMBERS

GRIP LENGTH	NOMINAL DIAMETER											
	3/16		1/4		5/16		3/8		7/16		1/2	
	ALLOY STEEL	COR. RES. STEEL	ALLOY STEEL	COR. RES. STEEL	ALLOY STEEL	COR. RES. STEEL	ALLOY STEEL	COR. RES. STEEL	ALLOY STEEL	COR. RES. STEEL	ALLOY STEEL	COR. RES. STEEL
6.100	-361	C361	-461	C461	-561	C561	-661	C661	-761	C761	-861	C861
6.200	-362	C362	-462	C462	-562	C562	-662	C662	-762	C762	-862	C862
6.300	-363	C363	-463	C463	-563	C563	-663	C663	-763	C763	-863	C863
6.400	-364	C364	-464	C464	-564	C564	-664	C664	-764	C764	-864	C864
6.500	-365	C365	-465	C465	-565	C565	-665	C665	-765	C765	-865	C865
6.600	-366	C366	-466	C466	-566	C566	-666	C666	-766	C766	-866	C866
6.700	-367	C367	-467	C467	-567	C567	-667	C667	-767	C767	-867	C867
6.800	-368	C368	-468	C468	-568	C568	-668	C668	-768	C768	-868	C868
6.900	-369	C369	-469	C469	-569	C569	-669	C669	-769	C769	-869	C869
7.000	-370	C370	-470	C470	-570	C570	-670	C670	-770	C770	-870	C870
7.100	-371	C371	-471	C471	-571	C571	-671	C671	-771	C771	-871	C871
7.200	-372	C372	-472	C472	-572	C572	-672	C672	-772	C772	-872	C872
7.300	-373	C373	-473	C473	-573	C573	-673	C673	-773	C773	-873	C873
7.400	-374	C374	-474	C474	-574	C574	-674	C674	-774	C774	-874	C874
7.500	-375	C375	-475	C475	-575	C575	-675	C675	-775	C775	-875	C875
7.600	-376	C376	-476	C476	-576	C576	-676	C676	-776	C776	-876	C876
7.700	-377	C377	-477	C477	-577	C577	-677	C677	-777	C777	-877	C877
7.800	-378	C378	-478	C478	-578	C578	-678	C678	-778	C778	-878	C878
7.900	-379	C379	-479	C479	-579	C579	-679	C679	-779	C779	-879	C879
8.000	-380	C380	-480	C480	-580	C580	-680	C680	-780	C780	-880	C880
8.100	-381	C381	-481	C481	-581	C581	-681	C681	-781	C781	-881	C881
8.200	-382	C382	-482	C482	-582	C582	-682	C682	-782	C782	-882	C882
8.300	-383	C383	-483	C483	-583	C583	-683	C683	-783	C783	-883	C883
8.400	-384	C384	-484	C484	-584	C584	-684	C684	-784	C784	-884	C884
8.500	-385	C385	-485	C485	-585	C585	-685	C685	-785	C785	-885	C885
8.600	-386	C386	-486	C486	-586	C586	-686	C686	-786	C786	-886	C886
8.700	-387	C387	-487	C487	-587	C587	-687	C687	-787	C787	-887	C887
8.800	-388	C388	-488	C488	-588	C588	-688	C688	-788	C788	-888	C888
8.900	-389	C389	-489	C489	-589	C589	-689	C689	-789	C789	-889	C889
9.000	-390	C390	-490	C490	-590	C590	-690	C690	-790	C790	-890	C890
9.100	-391	C391	-491	C491	-591	C591	-691	C691	-791	C791	-891	C891
9.200	-392	C392	-492	C492	-592	C592	-692	C692	-792	C792	-892	C892
9.300	-393	C393	-493	C493	-593	C593	-693	C693	-793	C793	-893	C893
9.400	-394	C394	-494	C494	-594	C594	-694	C694	-794	C794	-894	C894
9.500	-395	C395	-495	C495	-595	C595	-695	C695	-795	C795	-895	C895
9.600	-396	C396	-496	C496	-596	C596	-696	C696	-796	C796	-896	C896
9.700	-397	C397	-497	C497	-597	C597	-697	C697	-797	C797	-897	C897
9.800	-398	C398	-498	C498	-598	C598	-698	C698	-798	C798	-898	C898
9.900	-399	C399	-499	C499	-599	C599	-699	C699	-799	C799	-899	C899

THE REQUIREMENTS FOR ACQUIRING THE PRODUCT(S) DESCRIBED HEREIN SHALL CONSIST OF THIS SPECIFICATION SHEET AND THE ISSUE OF THE FOLLOWING SPECIFICATION LISTED IN THAT ISSUE OF THE DODISS SPECIFIED IN THE SOLICITATION: MIL - P - 23460

THIS SPECIFICATION IS APPROVED FOR USE BY ALL DEPARTMENTS AND AGENCIES OF THE DEPARTMENT OF DEFENSE.

PREPARING ACTIVITY: NAVY - AS
CUSTODIANS: ARMY - AV NAVY - AS
 AIR FORCE - 99 DLA -
REVIEW: AJR FORCE - 82, DLA - 15
USER: ARMY - GL
PROJECT NUMBER: 5340-1781

MILITARY SPECIFICATION SHEET
TITLE: PIN, QUICK RELEASE, SELF-RETAINING,
POSITIVE LOCKING, SINGLE ACTING,
"T" HANDLE

SPECIFICATION SHEET NUMBER REV F
MS17985 14 AUG 91
SUPERSEDING
MS17985E 17 JAN 1983
AMSC - N/A FSC: 5340

DISTRIBUTION STATEMENT A Approved for public release; distribution is unlimited. Page 5 of 7

TABLE II. GRIP LENGTHS.
DASH NUMBERS

GRIP LENGTH	NOMINAL DIAMETER									
	9/16		5/8		3/4		7/8		1"	
	ALLOY STEEL	COR. RES. STEEL	ALLOY STEEL	COR. RES. STEEL	ALLOY STEEL	COR. RES. STEEL	ALLOY STEEL	COR. RES. STEEL	ALLOY STEEL	COR. RES. STEEL
.700	-907	C907								
.800	-908	C908								
.900	-909	C909	-1009	C1009	-1209	C1209	-1410	C1410	-1610	C1610
1.000	-910	C910	-1010	C1010	-1210	C1210	-1410	C1410	-1610	C1610
1.100	-911	C911	-1011	C1011	-1211	C1211	-1411	C1411	-1611	C1611
1.200	-912	C912	-1012	C1012	-1212	C1212	-1412	C1412	-1612	C1612
1.300	-913	C913	-1013	C1013	-1213	C1213	-1413	C1413	-1613	C1613
1.400	-914	C914	-1014	C1014	-1214	C1214	-1414	C1414	-1614	C1614
1.500	-915	C915	-1015	C1015	-1215	C1215	-1415	C1415	-1615	C1615
1.600	-916	C916	-1016	C1016	-1216	C1216	-1416	C1416	-1616	C1616
1.700	-917	C917	-1017	C1017	-1217	C1217	-1417	C1417	-1617	C1617
1.800	-918	C918	-1018	C1018	-1218	C1218	-1418	C1418	-1618	C1618
1.900	-919	C919	-1019	C1019	-1219	C1219	-1419	C1419	-1619	C1619
2.000	-920	C920	-1020	C1020	-1220	C1220	-1420	C1420	-1620	C1620
2.100	-921	C921	-1021	C1021	-1221	C1221	-1421	C1421	-1621	C1621
2.200	-922	C922	-1022	C1022	-1222	C1222	-1422	C1422	-1622	C1622
2.300	-923	C923	-1023	C1023	-1223	C1223	-1423	C1423	-1623	C1623
2.400	-924	C924	-1024	C1024	-1224	C1224	-1424	C1424	-1624	C1624
2.500	-925	C925	-1025	C1025	-1225	C1225	-1425	C1425	-1625	C1625
2.600	-926	C926	-1026	C1026	-1226	C1226	-1426	C1426	-1626	C1626
2.700	-927	C927	-1027	C1027	-1227	C1227	-1427	C1427	-1627	C1627
2.800	-928	C928	-1028	C1028	-1228	C1228	-1428	C1428	-1628	C1628
2.900	-929	C929	-1029	C1029	-1229	C1229	-1429	C1429	-1629	C1629
3.000	-930	C930	-1030	C1030	-1230	C1230	-1430	C1430	-1630	C1630
3.100	-931	C931	-1031	C1031	-1231	C1231	-1431	C1431	-1631	C1631
3.200	-932	C932	-1032	C1032	-1232	C1232	-1432	C1432	-1632	C1632
3.300	-933	C933	-1033	C1033	-1233	C1233	-1433	C1433	-1633	C1633
3.400	-934	C934	-1034	C1034	-1234	C1234	-1434	C1434	-1634	C1634
3.500	-935	C935	-1035	C1035	-1235	C1235	-1435	C1435	-1635	C1635
3.600	-936	C936	-1036	C1036	-1236	C1236	-1436	C1436	-1636	C1636
3.700	-937	C937	-1037	C1037	-1237	C1237	-1437	C1437	-1637	C1637
3.800	-938	C938	-1038	C1038	-1238	C1238	-1438	C1438	-1638	C1638
3.900	-939	C939	-1039	C1039	-1239	C1239	-1439	C1439	-1639	C1639
4.000	-940	C940	-1040	C1040	-1240	C1240	-1440	C1440	-1640	C1640
4.100	-941	C941	-1041	C1041	-1241	C1241	-1441	C1441	-1641	C1641
4.200	-942	C942	-1042	C1042	-1242	C1242	-1442	C1442	-1642	C1642
4.300	-943	C943	-1043	C1043	-1243	C1243	-1443	C1443	-1643	C1643
4.400	-944	C944	-1044	C1044	-1244	C1244	-1444	C1444	-1644	C1644
4.500	-945	C945	-1045	C1045	-1245	C1245	-1445	C1445	-1645	C1645
4.600	-946	C946	-1046	C1046	-1246	C1246	-1446	C1446	-1646	C1646
4.700	-947	C947	-1047	C1047	-1247	C1247	-1447	C1447	-1647	C1647
4.800	-948	C948	-1048	C1048	-1248	C1248	-1448	C1448	-1648	C1648
4.900	-949	C949	-1049	C1049	-1249	C1249	-1449	C1449	-1649	C1649
5.000	-950	C950	-1050	C1050	-1250	C1250	-1450	C1450	-1650	C1650
5.100	-951	C951	-1051	C1051	-1251	C1251	-1451	C1451	-1651	C1651
5.200	-952	C952	-1052	C1052	-1252	C1252	-1452	C1452	-1652	C1652
5.300	-953	C953	-1053	C1053	-1253	C1253	-1453	C1453	-1653	C1653
5.400	-954	C954	-1054	C1054	-1254	C1254	-1454	C1454	-1654	C1654
5.500	-955	C955	-1055	C1055	-1255	C1255	-1455	C1455	-1655	C1655
5.600	-956	C956	-1056	C1056	-1256	C1256	-1456	C1456	-1656	C1656
5.700	-957	C957	-1057	C1057	-1257	C1257	-1457	C1457	-1657	C1657
5.800	-958	C958	-1058	C1058	-1258	C1258	-1458	C1458	-1658	C1658
5.900	-959	C959	-1059	C1059	-1259	C1259	-1459	C1459	-1659	C1659
6.000	-960	C960	-1060	C1060	-1260	C1260	-1460	C1460	-1660	C1660

THE REQUIREMENT FOR ACQUIRING THE PRODUCT(S) DESCRIBED HEREIN SHALL BE THAT OF THIS SPECIFICATION SHEET AND THE ISSUE OF THE FOLLOWING SPECIFICATION LISTED IN THAT ISSUE OF THE DODISS SPECIFIED IN THE SOLICITATION: MIL-P-23460

THIS SPECIFICATION IS APPROVED FOR USE BY ALL DEPARTMENTS AND AGENCIES OF THE DEPARTMENT OF DEFENSE.

PREPARING ACTIVITY: NAVY - AS
CUSTODIANS: ARMY - AV NAVY - AS
 AIR FORCE - 99 DLA -
REVIEW: AIR FORCE - 82, DLA - IS
USER/ARMY - GL
PROJECT NUMBER: 5340-1781

MILITARY SPECIFICATION SHEET
TITLE: PIN, QUICK RELEASE, SELF-RETAINING,
POSITIVE LOCKING, SINGLE ACTING,
"T" HANDLE

SPECIFICATION SHEET NUMBER REV F
MS17985 14 AUG 91
SUPERSEDING
MS17985E 17 JAN 1983
AMSC - N/A FSC: 5340

TABLE II. GRIP LENGTHS.

DASH NUMBERS

THE REQUIREMENTS FOR ACQUIRING THE PRODUCT(S) DESCRIBED HEREIN SHALL CONSIST OF THIS SPECIFICATION SHEET AND THE ISSUE OF THE FOLLOWING SPECIFICATION LISTED IN THAT ISSUE OF THE DODISS SPECIFIED IN THE SOLICITATION: MIL- P-23460

GRIP LENGTH	NOMINAL DIAMETER											
	9/16		5/8		3/4		7/8		1"			
	ALLOY STEEL	COR. RES. STEEL	ALLOY STEEL	COR. RES. STEEL	ALLOY STEEL	COR. RES. STEEL	ALLOY STEEL	COR. RES. STEEL	ALLOY STEEL	COR. RES. STEEL	ALLOY STEEL	COR. RES. STEEL
6.100	-961	C961	-1061	C1061	-1261	C1261	-1461	C1461	-1661	C1661		
6.200	-962	C962	-1062	C1062	-1262	C1262	-1462	C1462	-1662	C1662		
6.300	-963	C963	-1063	C1063	-1263	C1263	-1463	C1463	-1663	C1663		
6.400	-964	C964	-1064	C1064	-1264	C1264	-1464	C1464	-1664	C1664		
6.500	-965	C965	-1065	C1065	-1265	C1265	-1465	C1465	-1665	C1665		
6.600	-966	C966	-1066	C1066	-1266	C1266	-1466	C1466	-1666	C1666		
6.700	-967	C967	-1067	C1067	-1267	C1267	-1467	C1467	-1667	C1667		
6.800	-968	C968	-1068	C1068	-1268	C1268	-1468	C1468	-1668	C1668		
6.900	-969	C969	-1069	C1069	-1269	C1269	-1469	C1469	-1669	C1669		
7.000	-970	C970	-1070	C1070	-1270	C1270	-1470	C1470	-1670	C1670		
7.100	-971	C971	-1071	C1071	-1271	C1271	-1471	C1471	-1671	C1671		
7.200	-972	C972	-1072	C1072	-1272	C1272	-1472	C1472	-1672	C1672		
7.300	-973	C973	-1073	C1073	-1273	C1273	-1473	C1473	-1673	C1673		
7.400	-974	C974	-1074	C1074	-1274	C1274	-1474	C1474	-1674	C1674		
7.500	-975	C975	-1075	C1075	-1275	C1275	-1475	C1475	-1675	C1675		
7.600	-976	C976	-1076	C1076	-1276	C1276	-1476	C1476	-1676	C1676		
7.700	-977	C977	-1077	C1077	-1277	C1277	-1477	C1477	-1677	C1677		
7.800	-978	C978	-1078	C1078	-1278	C1278	-1478	C1478	-1678	C1678		
7.900	-979	C979	-1079	C1079	-1279	C1279	-1479	C1479	-1679	C1679		
8.000	-980	C980	-1080	C1080	-1280	C1280	-1480	C1480	-1680	C1680		
8.100	-981	C981	-1081	C1081	-1281	C1281	-1481	C1481	-1681	C1681		
8.200	-982	C982	-1082	C1082	-1282	C1282	-1482	C1482	-1682	C1682		
8.300	-983	C983	-1083	C1083	-1283	C1283	-1483	C1483	-1683	C1683		
8.400	-984	C984	-1084	C1084	-1284	C1284	-1484	C1484	-1684	C1684		
8.500	-985	C985	-1085	C1085	-1285	C1285	-1485	C1485	-1685	C1685		
8.600	-986	C986	-1086	C1086	-1286	C1286	-1486	C1486	-1686	C1686		
8.700	-987	C987	-1087	C1087	-1287	C1287	-1487	C1487	-1687	C1687		
8.800	-988	C988	-1088	C1088	-1288	C1288	-1488	C1488	-1688	C1688		
8.900	-989	C989	-1089	C1089	-1289	C1289	-1489	C1489	-1689	C1689		
9.000	-990	C990	-1090	C1090	-1290	C1290	-1490	C1490	-1690	C1690		
9.100	-991	C991	-1091	C1091	-1291	C1291	-1491	C1491	-1691	C1691		
9.200	-992	C992	-1092	C1092	-1292	C1292	-1492	C1492	-1692	C1692		
9.300	-993	C993	-1093	C1093	-1293	C1293	-1493	C1493	-1693	C1693		
9.400	-994	C994	-1094	C1094	-1294	C1294	-1494	C1494	-1694	C1694		
9.500	-995	C995	-1095	C1095	-1295	C1295	-1495	C1495	-1695	C1695		
9.600	-996	C996	-1096	C1096	-1296	C1296	-1496	C1496	-1696	C1696		
9.700	-997	C997	-1097	C1097	-1297	C1297	-1497	C1497	-1697	C1697		
9.800	-998	C998	-1098	C1098	-1298	C1298	-1498	C1498	-1698	C1698		
9.900	-999	C999	-1099	C1099	-1299	C1299	-1499	C1499	-1699	C1699		

THIS SPECIFICATION IS APPROVED FOR USE BY ALL DEPARTMENTS AND AGENCIES OF THE DEPARTMENT OF DEFENSE.

PREPARING ACTIVITY: NAVY - AS
CUSTODIANS: ARMY - AV NAVY - AS
AIR FORCE - 99 DLA -
REVIEW: AIR FORCE - 82, DLA - IS
USER: ARMY - GL
PROJECT NUMBER: 5340-1781

MILITARY SPECIFICATION SHEET
TITLE: PIN, QUICK RELEASE, SELF-RETAINING,
POSITIVE LOCKING, SINGLE ACTING,
"T" HANDLE

SPECIFICATION SHEET NUMBER REV F
MS17985 14 AUG 91
SUPERSEDED
MS17985E 17 JAN 1983
AMSC - N/A FSC : 5340

DISTRIBUTION STATEMENT A. Approved for public release; distribution is unlimited.

Page 7 of 7