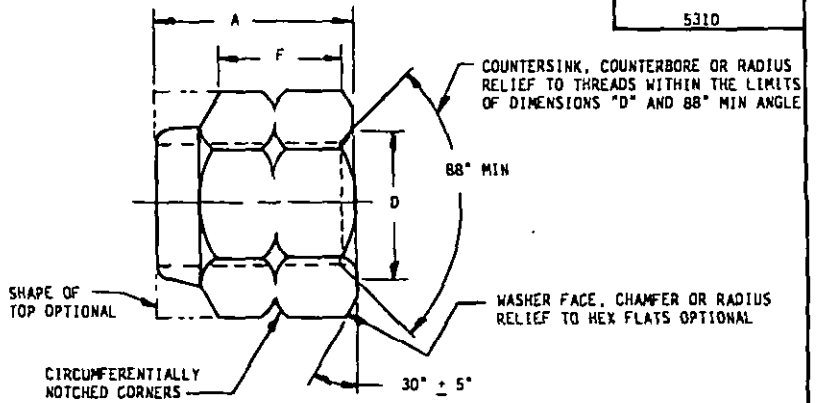
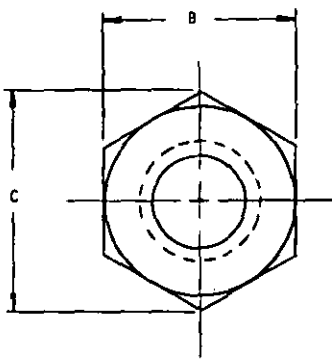


FED. SUP CLASS  
5310



COUNTERSINK, COUNTERBORE OR RADIUS RELIEF TO THREADS WITHIN THE LIMITS OF DIMENSIONS "D" AND 88° MIN ANGLE

88° MIN

WASHER FACE, CHAMFER OR RADIUS RELIEF TO HEX FLATS OPTIONAL

CIRCUMFERENTIALLY NOTCHED CORNERS

30° ± 5°

USER SYMBOL:

REVISION SYMBOLS:  
ARMY - AY  
NAVY - AS, SH  
USAF - 11, 82  
DLA - 15

\*Changes/revision information is current as of the date of this document. For future contributions of changes to this document, all cancellations should be based on the information in the current DDPSL.

TABLE I

SIZE DASH NUMBER	THREAD	A		B		C MIN	D ±.020	F MIN	BEARING SURFACE SQUARENESS
		MAX	MIN	MAX	MIN				
-3C	10-24UNC-3B	.281	.208	.376	.367	.410	.210	.085	.006
-4C	1/4-20UNC-3B	.360	.240	.439	.430	.482	.273	.116	.007
-4F	1/4-28UNF-3B								
-5C	5/16-18UNC-3B	.360	.271	.502	.492	.552	.336	.123	.007
-5F	5/16-24UNF-3B								
-6C	3/8-16UNC-3B	.469	.318	.564	.553	.622	.398	.153	.008
-6F	3/8-24UNF-3B								
-7C	7/16-14UNC-3B	.469	.435	.690	.679	.766	.467	.178	.008
-7F	7/16-20UNF-3B								
-8C	1/2-13UNC-3B	.610	.575	.752	.741	.837	.531	.221	.009
-8F	1/2-20UNF-3B								
-9C	9/16-12UNC-3B	.704	.623	.877	.865	.978	.594	.243	.010
-9F	9/16-18UNF-3B								
-10C	5/8-11UNC-3B	.766	.732	.940	.928	1.051	.656	.274	.010
-10F	5/8-18UNF-3B								
-12C	3/4-10UNC-3B	.891	.855	1.064	1.052	1.191	.782	.316	.010
-12F	3/4-16UNF-3B								
-14C	7/8-9UNC-3B	1.016	.965	1.252	1.239	1.403	.918	.570	.011
-14F	7/8-14UNF-3B								
-16C	1-8UNC-3B	1.141	1.010	1.440	1.427	1.615	1.044	.635	.012
-16F	1-12UNF-3B								
-18C	1 1/8-7UNC-3B	1.266	1.130	1.627	1.614	1.826	1.171	.710	.013
(c) -18NB	1 1/8-8UN-3B								
-18F	1 1/8-12UNF-3B								
-20C	1 1/4-7UNC-3B	1.454	1.300	1.814	1.801	2.038	1.295	.795	.014
(c) -20NB	1 1/4-8UN-3B								
-20F	1 1/4-12UNF-3B								
-22C	1 3/8-6UNC-3B	1.609	1.547	2.008	1.973	2.232	1.447	.890	.015
(c) -22NB	1 3/8-8UN-3B								
-22F	1 3/8-12UNF-3B								
-24C	1 1/2-6UNC-3B	1.640	1.578	2.197	2.159	2.444	1.568	.980	.016
(c) -24NB	1 1/2-8UN-3B								
-24F	1 1/2-12UNF-3B								
-26C	1 3/4-5UNC-3B	2.376	2.250	2.762	2.715	3.075	1.818	1.250	.018
(c) -26NB	1 3/4-8UN-3B								
-32C	2-4 1/2UNC-3B	2.469	2.343	3.137	3.086	3.497	2.065	1.350	.020
(c) -32NB	2-8UN-3B								
-36C	2 1/4-4 1/2UNC-3B	2.876	2.750	3.514	3.457	3.918	2.328	1.600	.020
(c) -36NB	2 1/4-8UN-3B								
-40C	2 1/2-4UNC-3B	3.204	3.078	4.015	3.875	4.393	2.578	1.800	.020
(c) -40NB	2 1/2-8UN-3B								

- (a) BEARING SURFACE SQUARENESS MEASURED IN ACCORDANCE WITH MIL-N-25027.
- (b) CIRCUMFERENTIAL NOTCHED CORNERS ARE FOR IDENTIFICATION ONLY. NOTCH SHALL NOT EXCEED "B" MINIMUM IN DEPTH.
- (c) CANCELLED AFTER 29 MAY 1968.

ⓔ REVISED AND REDRAWN

DISTRIBUTION STATEMENT A: APPROVED FOR PUBLIC RELEASE. DISTRIBUTOR IS UNLIMITED.

This document is approved for public release and its use is unlimited. It is the property of the Department of Defense and is loaned to your organization; it and its contents are not to be distributed outside your organization and design applications and for reproduction use shall be made from this document.

AMSC N/A

P.A. NAVY - AS Other Cust USAF - 11 ARMY - AY	INTERNATIONAL INTEREST SEE NOTE	TITLE NUT, SELF-LOCKING, HEXAGON, REGULAR HEIGHT, 250°F, (NON-METALLIC INSERT) NON-CORROSION-RESISTANT STEEL
PROCUREMENT SPECIFICATION MIL-N-25027	SUPERSEDES: MIL-N-24129/2 (SHIPS), MS17829 (SHIPS)	

MILITARY STANDARD  
**MS17829**

SHEET 1 OF 3

DD FORM 1 MAR 72 672-1 (Continued)

PREVIOUS EDITIONS OF THIS FORM ARE OBSOLETE.

PROJECT NO. 5310-1567

APPROVED 5 APRIL 1962 REVISED 30 JAN 1967

FED. SUP CLASS  
5310

USER SYMBOLS:

REVISION SYMBOLS:  
ARMY - AY  
NAVY - AS, SH  
USAF - 11, B2  
DLA - 15

"Revised" or "new" information is current as of the date of this document.  
For future identification of changes in this document, all circulation should be based on the information in the current DODDSB."

TABLE II

SIZE DASH NUMBER	AXIAL STRENGTH POUNDS MIN	MINIMUM ULTIMATE WRENCH TORQUE (IN-LB)	WEIGHT LB/100 REF	MAXIMUM LOCKING TORQUE INSTALLATION OR REMOVAL (IN-LB)	MINIMUM BREAKAWAY TORQUE (IN-LB)
-3C	(d) 2,010	40	.56	↑ PER MIL-N-25027 ↓	↑ PER MIL-N-25027 ↓
-4C	4,770	85	.97		
-4F	5,460	115	1.30		
-5C	7,860	185	1.95		
-5F	8,700	260	3.35		
-6C	11,620	315	4.65		
-6F	13,170	450	7.67		
-7C	15,940	550	8.97		
-7F	17,800	885	12.96		
-8C	21,300	1,000	20.52		
-8F	24,000	1,250	29.16		
-9C	27,300	1,300	44.28		
-9F	30,400	1,850	62.64		
-10C	33,900	1,725	83.16		
-10F	38,400	2,725	108.00		
-12C	50,100	2,875	259.20		
-12F	56,000	4,775	334.80		
-14C	69,300	5,300	486.00		
-14F	76,400	7,575	735.50		
-16C	90,900	8,750			
-16F	99,400	10,900			
-18C	114,000	13,100			
-18F	128,400	14,800			
-20C	145,000	17,600			
-20F	161,000	20,000			
-22C	173,000				
-22F	173,000				
-22F	197,000				
-24C	211,000				
-24F	237,200				
-28C	285,000				
-28F	375,000				
-32C	487,500				
-32F	600,000				
-40C					
-40F					

(d) AXIAL STRENGTH FOR THREAD SIZE NO. 10-24UNC-3B NUTS IS BASED ON 125,000 P.S.I.

MATERIAL:

- Ⓔ 1. STEEL TYPE C1137 OF FED-STD-66 OR CARBON OR ALLOY STEEL MIL-5-1222, C1137 STEEL MAY CONTAIN FROM 0.15 TO 0.35 PERCENT LEAD.
- Ⓔ 2. THE INSERT SHALL BE IN ACCORDANCE WITH ASTM D4066, GROUP 1, CLASS 1, GRADE 1.

INTERNATIONAL INTEREST:

CERTAIN PROVISIONS (LIMITS FOR ACROSS FLATS DIMENSION) OF THIS STANDARD ARE THE SUBJECT OF INTERNATIONAL STANDARDIZATION AGREEMENT ABC AIR STD 17/2 WHEN REVISION OR CANCELLATION OF THIS STANDARD IS PROPOSED, THE DEPARTMENTAL CUSTODIAN WILL INFORM THEIR RESPECTIVE DEPARTMENTAL STANDARDIZATION OFFICE SO THAT APPROPRIATE ACTION MAY BE TAKEN RESPECTING THE INTERNATIONAL AGREEMENT CONCERNED.

IN THE EVENT OF A CONFLICT BETWEEN THE TEXT OF THIS STANDARD AND THE REFERENCES CITED HEREIN, THE TEXT OF THIS STANDARD SHALL TAKE PRECEDENCE.

REFERENCED GOVERNMENT (OR NON-GOVERNMENT) DOCUMENTS OF THE ISSUE LISTED IN THAT ISSUE OF THE DEPARTMENT OF DEFENSE INDEX OF SPECIFICATIONS AND STANDARDS (DODISS) SPECIFIED IN THE SOLICITATION FORM A PART OF THIS STANDARD TO THE EXTENT SPECIFIED HEREIN.

DISTRIBUTION STATEMENT 1 - APPROVED FOR PUBLIC RELEASE. DISTRIBUTION IS UNLIMITED.  
This Military Standard is approved for use by all Departments & Agencies of the Department of Defense. Substitution for all new specifications and drawings specifications and for respective use shall be made from this document.

APPROVED 5 APRIL 1962 REVISED (E) FOR CHANGES SEE SHEETS 2 AND 3

P.A. NAVY - AS Other Cust USAF - 11 ARMY - AY	INTERNATIONAL INTEREST SEE NOTE	TITLE NUT, SELF-LOCKING, HEXAGON, REGULAR HEIGHT, 250°F, (NON-METALLIC INSERT) NON-CORROSION-RESISTANT STEEL	MILITARY STANDARD
			MS17829
PROCUREMENT SPECIFICATION MIL-N-25027	SUPERSEDES:	MIL-N-24129/2 (SHIPS) MS17829 (SHIPS)	SHEET 2 OF 3

USER SYMBOLS:

ARMY - AY  
NAVY - AS, SH  
USAF - 11, B2  
DLA - 15

LOCKING DEVICE: THE LOCKING DEVICE SHALL BE A RING OR COLLAR INSERT CAPABLE OF COMPLETELY CIRCUMFERENTIAL THREAD ENGAGEMENT FOR AT LEAST ONE FULL THREAD.

THREADS: THREADS SHALL BE "RIGHT-HAND", UNIFIED COARSE OR UNIFIED FINE IN ACCORDANCE WITH H-2B, CLASS 3B FIT EXCEPT THAT MINOR DIAMETER REQUIREMENTS OF MIL-S-8879 MAY APPLY.

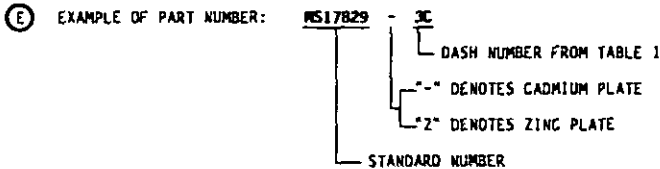
(E) PLATING: CADMIUM PLATE IN ACCORDANCE WITH QQ-P-416, TYPE II, CLASS 3, OR ZINC PLATE IN ACCORDANCE WITH ASTM-B-633-78, FE/Zn B, TYPE II.

PERMANENT SET: NOT APPLICABLE TO SIZES LARGER THAN 1-1/4.

BREAK ALL SHARP EDGES AND REMOVE BURRS AND SLIVERS.

SURFACE ROUGHNESS IN ACCORDANCE WITH USAS B 46.1 1962. UNLESS OTHERWISE SPECIFIED THE SURFACE ROUGHNESS SHALL NOT EXCEED 125 MICROINCH.

DIMENSIONS IN INCHES UNLESS OTHERWISE SPECIFIED.



INTERCHANGEABILITY RELATIONSHIP: MS17829 NUTS ARE UNIVERSALLY INTERCHANGEABLE WITH MIL-N-24129/2B (SHIPS) AND MS24129 (SHIPS).

TABLE 111

INTERCHANGEABILITY TABLE		
CANCELLED		UNIVERSALLY INTERCHANGEABLE
MS17829 (SHIPS)	MIL-N-24129/2B (SHIPS)	MS17829
-----	M24129/2- 3C	MS17829- 3C
MS17829- 4C	M24129/2- 4C	MS17829- 4C
MS17829- 4F	M24129/2- 4F	MS17829- 4F
MS17829- 5C	M24129/2- 5C	MS17829- 5C
MS17829- 5F	M24129/2- 5F	MS17829- 5F
MS17829- 6C	M24129/2- 6C	MS17829- 6C
MS17829- 6F	M24129/2- 6F	MS17829- 6F
MS17829- 7C	M24129/2- 7C	MS17829- 7C
MS17829- 7F	M24129/2- 7F	MS17829- 7F
MS17829- 8C	M24129/2- 8C	MS17829- 8C
MS17829- 8F	M24129/2- 8F	MS17829- 8F
MS17829- 9C	M24129/2- 9C	MS17829- 9C
MS17829- 9F	M24129/2- 9F	MS17829- 9F
MS17829-10C	M24129/2-10C	MS17829-10C
MS17829-10F	M24129/2-10F	MS17829-10F
MS17829-12C	M24129/2-12C	MS17829-12C
MS17829-12F	M24129/2-12F	MS17829-12F
MS17829-14C	M24129/2-14C	MS17829-14C
MS17829-14F	M24129/2-14F	MS17829-14F
MS17829-16C	M24129/2-16C	MS17829-16C
MS17829-16F	M24129/2-16F	MS17829-16F
MS17829-18C	M24129/2-18C	MS17829-18C
-----	M24129/2-18NOB	MS17829-18NOB
MS17829-18F	M24129/2-18F	MS17829-18F
MS17829-20C	M24129/2-20C	MS17829-20C
-----	M24129/2-20NOB	MS17829-20NOB
MS17829-20F	M24129/2-20F	MS17829-20F
MS17829-22C	M24129/2-22C	MS17829-22C
-----	M24129/2-22NOB	MS17829-22NOB
MS17829-22F	M24129/2-22F	MS17829-22F
MS17829-24C	M24129/2-24C	MS17829-24C
-----	M24129/2-24NOB	MS17829-24NOB
MS17829-24F	M24129/2-24F	MS17829-24F
MS17829-28C	M24129/2-28C	MS17829-28C
-----	M24129/2-28NOB	MS17829-28NOB
MS17829-32C	M24129/2-32C	MS17829-32C
-----	M24129/2-32NOB	MS17829-32NOB
MS17829-36C	M24129/2-36C	MS17829-36C
-----	M24129/2-36NOB	MS17829-36NOB
MS17829-40C	M24129/2-40C	MS17829-40C
-----	M24129/2-40NOB	MS17829-40NOB

"Reader/user information is current as of the date of this document. For future configurations of changes to this document, draft circulation should be based on the information in the current DODDS."

DISTRIBUTION STATEMENT A: APPROVED FOR PUBLIC RELEASE. DISTRIBUTION IS UNLIMITED. This military standard is approved for use by all Departments & Agencies of the Department of Defense. Instruction for all new engineering and design applications and for repetitive use shall be made from this document.

AMSC N/A

<b>P.A.</b> <b>NAVY - AS</b> Other Cust USAF - 11 ARMY - AY	INTER- NATIONAL INTEREST  SEE NOTE	TITLE  NUT, SELF-LOCKING, HEXAGON, REGULAR HEIGHT, 250°F. (NON-METALLIC INSERT) NON-CORROSION-RESISTANT STEEL	<b>MILITARY STANDARD</b>	
			<b>MS17829</b>	
PROCUREMENT SPECIFICATION MIL-N-25027	SUPERSEDES:	MIL-N-24129/2 (SHIPS) MS17829 (SHIPS)	SHEET	3 OF 3